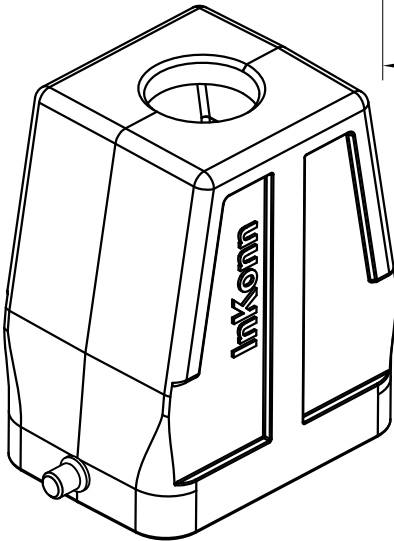
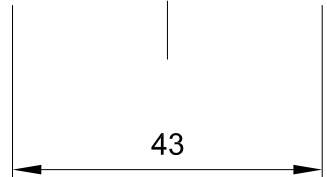
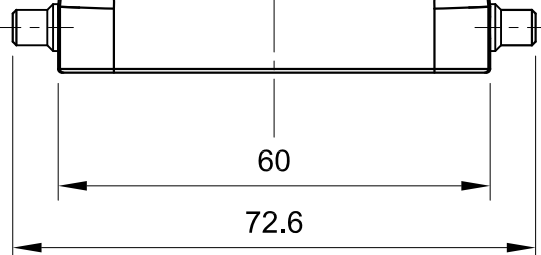
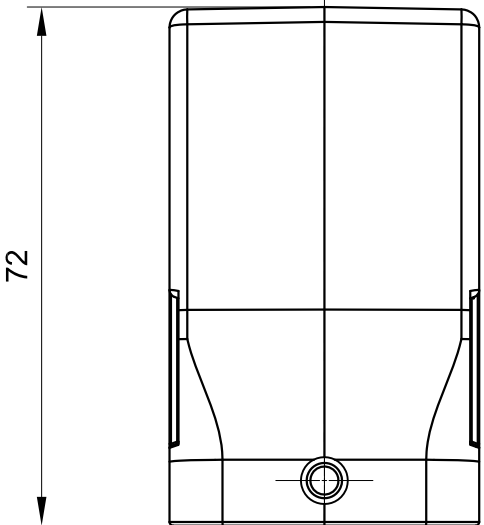
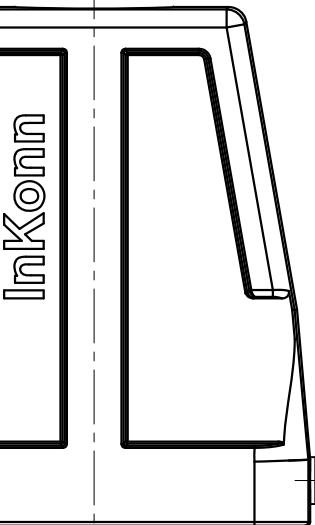




M25x1.5



 All Dimensions in mm Original Size DIN A4	Date 2019-07-10	Drawing No. TC2842634	Rev. A00	Scale 1:1
	 InKonn® InKonn (Suzhou) Electric Technology Co.,Ltd.	Part No. 10 11 006 1082	Created by Shuxu Huang	Checked by Yiyi Luo
Type Name HB6-HTE-DP-M25				